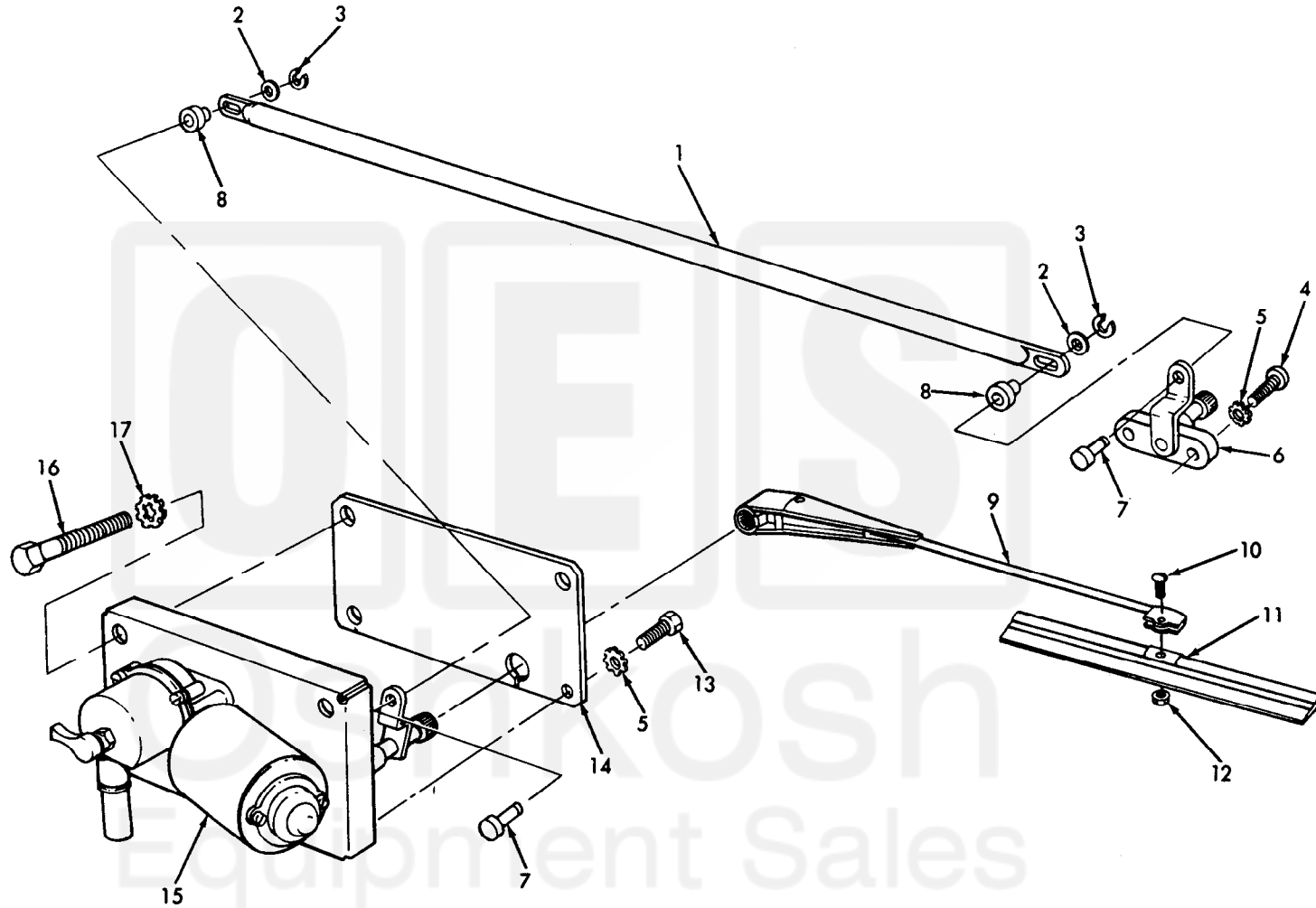


(1) SMR CODE	(2) FEDERAL STOCK NUMBER	(3) DESCRIPTION  REFERENCE NUMBER & MFG. CODE      USABLE ON CODE		(4) UNIT OF MEAS.	(5) QTY INC IN UNIT	(6) 15-DAY ORGANIZATIONAL MAINTENANCE ALW				(7) ILLUSTRATION	
						(a) 1-5	(b) 6-20	(c) 21-50	(d) 51-100	(a) FIGURE NO.	(b) ITEM NO.
<b>GROUP 2202—CONTINUED</b>											
<b>WINDSHIELD WIPER MOTOR AND RELATED PARTS (M151A2, M825 and M718A1) (fig. 22-9)</b>											
X20		LINK, CONNECTING: windshield wiper lever, 11644880 (19207) B	EA	1	*	*	*	*	22-9	1	
PO	5310-177-1312	WASHER, SPRING: windshield wiper connecting link retaining, 11644875 (19207) B	EA	2	*	*	*	*	22-9	2	
PO	5340-827-3262	RING, RETAINING: windshield wiper connecting link, MS90707-4025 (19207) B	EA	2	*	*	*	*	22-9	3	
PO	5305-059-7931	SCREW, MACHINE: pan hd, cross-recessed, carb-s, cd or zn-pltd, 1/4-20 UNC-2A x 5/8 in. lg, to attach windshield wiper idler arm and pivot shaft assembly, MS35208-70 (96906) B	EA	2	*	*	*	*	22-9	4	
PO	5310-209-0786	WASHER, LOCK: external tooth, carb-s, cd pltd, for 1/4 screw size, (2) to attach windshield wiper motor; (2) to attach idler arm and pivot shaft assembly; MS35335-33 (96906) B	EA	4	*	*	*	*	22-9	5	
PO	2540-176-9402	ARM AND PIVOT SHAFT ASSEMBLY: windshield wiper, idler, 11644913 (19207) B	EA	1	*	*	*	*	22-9	6	
PO	5315-177-1333	PIN: windshield wiper connecting link retaining, 11644914 (19207) B	EA	2	*	*	*	*	22-9	7	
PO	3120-133-6561	BUSHING, FLANGED: windshield wiper pivot arm, 11644876 (19207) B	EA	2	*	*	*	*	22-9	8	
PO	2540-176-9376	ARM ASSEMBLY: windshield wiper, 11641116 (19207) B	EA	2	*	*	*	*	22-9	9	
PO	5305-809-1535	SCREW, MACHINE: binding head, straight side, s, cd-pltd, no. 5-40 NC-2A, to attach windshield wiper blade, 9407529 (19207) B	EA	2	*	*	*	*	22-9	10	
PO	2540-176-9405	BLADE ASSEMBLY: windshield wiper, 11651115 (19207) B	EA	2	*	*	*	*	22-9	11	
PO	5310-050-3622	NUT, SAFETY: s, cd or zn-pltd, no. 5-40 NC, to attach windshield wiper blade, 503622 (21450) B	EA	2	*	*	*	*	22-9	12	
PO	5305-068-0502	SCREW, CAP, HEXAGON HEAD: carb-s, cd-pltd, 1/4-20 UNC-2A x 3/4 in. lg, to attach windshield wiper motor, MS90725-6 (96906) B	EA	2	*	*	*	*	22-9	13	
PO	5330-401-1508	GASKET: windshield wiper motor bracket, 11644889 (19207) B	EA	1	*	*	*	*	22-9	14	
PO	2540-176-9464	MOTOR AND BRACKET ASSEMBLY: windshield wiper, 11644874 (19207) B	EA	1	*	*	*	*	22-9	15	
PO	5306-225-8506	SCREW, CAP, HEXAGON HEAD: carb-s, cd-pltd, 5/16-18 UNC-2A x 2 1/2 in. lg, to attach windshield wiper motor, MS90725-42 (96906) B	EA	2	*	*	*	*	22-9	16	
PO	5310-728-2044	WASHER, LOCK: internal and external tooth, carb-s, cd-pltd, for 5/16 screw size, to attach windshield wiper motor, MS45904-73 (96906) B	EA	2	*	*	*	*	22-9	17	

Current part is item (11) on diagram. Available at [www.oshkoshequipment.com](http://www.oshkoshequipment.com)

212



AT24318

Figure 22-9. Windshield wiper motor and related parts (M151A2, M825, and M718A1).

Current part is item (11) on diagram. Available at [www.oshkoshequipment.com](http://www.oshkoshequipment.com)